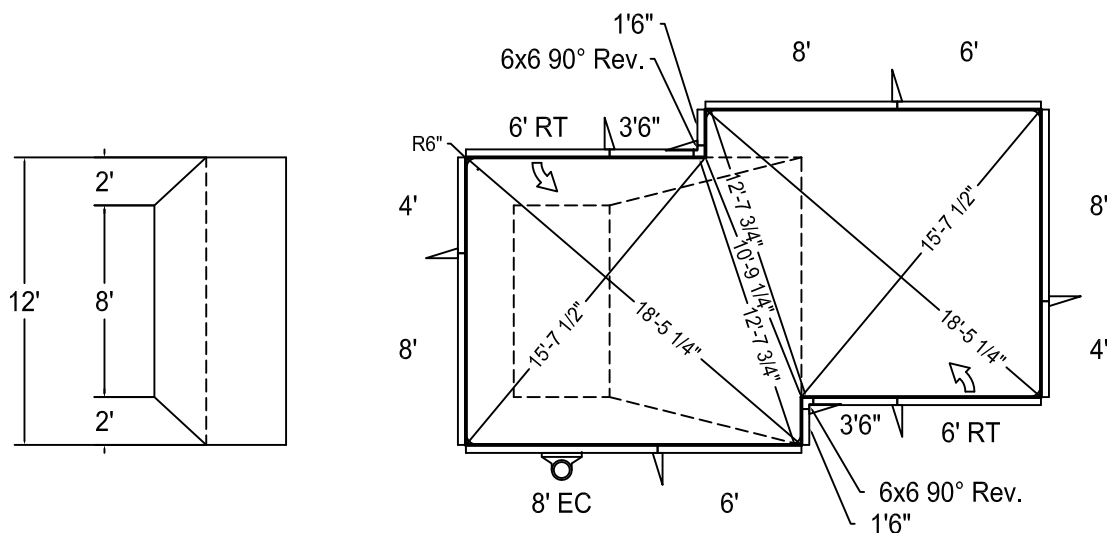
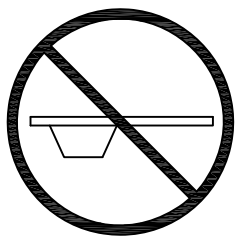


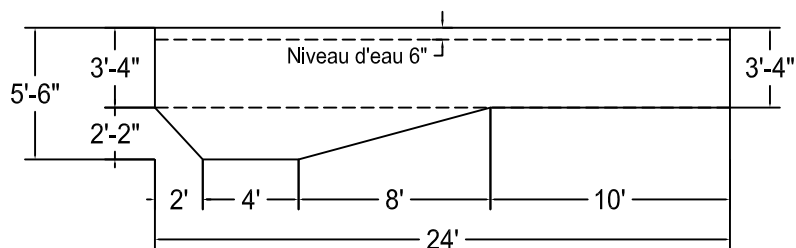
## Offset Rectangle 12 x 24 Gauche



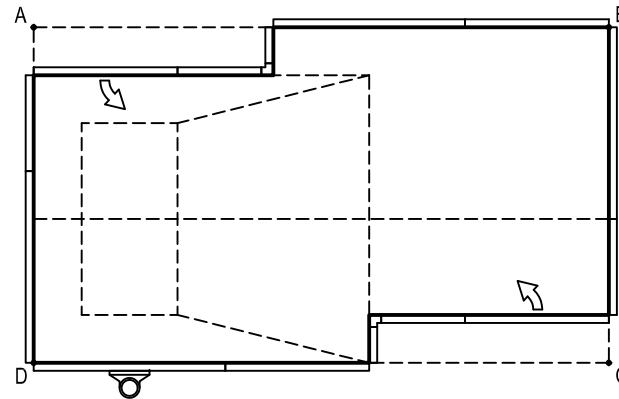
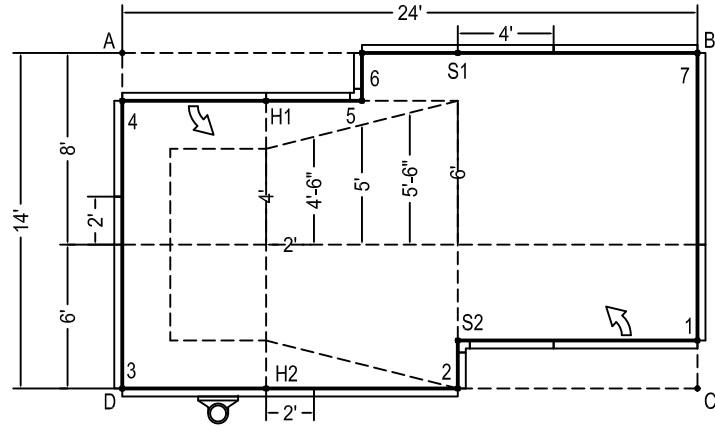
BNQ 9461-100/2009



**NON CONFORME**  
pour plongeur



Description	Code Produit	Qté
8' Droit	PAN-000DR96P	3
8' Écumoir	PAN-000DR96S	1
6' Droit	PAN-000DR72P	2
6' Retour	PAN-000DR72I	2
4' Droit	PAN-000DR48P	2
3'6" Droit	PAN-000DR42P	2
1'6" Droit	PAN-000DR18P	2
6"x6" 90° Rev. Angle	PAN-006AN90P	2
Frame En A	PAN-00000AF	8
Coin 90°	PAN-090COIN	6
Coin 6" de Rayon	PAN-006CR000	6
Stake Rode Paquet de 30	AQ-STAKE50	1
Nuts and bolts Paquet de 50	AQ-NBOLT50	4



	A	B	C	D
1	26'-10"	12'	2'	24'-1"
2	19'-9 1/2"	17'-2 1/2"	10'	14'
3	14'	27'-9 1/2"	24'	0'
4	2'	24'-1"	26'-10"	12'
5	10'-2 1/2"	14'-1 3/4"	18'-5 1/4"	15'-7 1/2"
6	10'	14'	19'-9 1/2"	17'-2 1/2"
7	24'	0'	14'	27'-9 1/2"
H1	6'-4"	18'-1 1/4"	21'-7 1/2"	13'-5"
H2	15'-2 3/4"	22'-9 3/4"	18'	6'
S1	14'	10'	17'-2 1/2"	19'-9 1/2"
S2	18'-5 1/4"	15'-7 1/2"	10'-2 1/2"	14'-1 3/4"
A	-	24'	27'-9 1/2"	14'