

SolidPool

Simply Concrete



Using its polypropylene blocks, the forms are assembled and filled with reinforced concrete creating a freestanding structurally sound wall. The *SolidPool* structure system is designed for all types of swimming pools, retaining walls and easily adaptable to any property type.

THE BLOCKS

SolidPool blocks are available in two types of surfaces which offers many different finish possibilities.

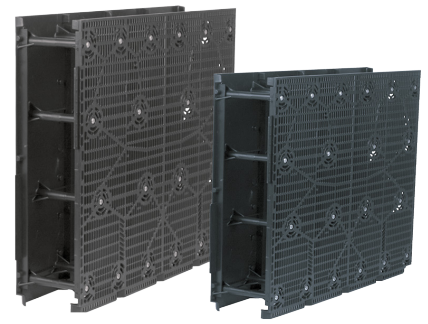
SolidPool allows you to customize the finish, inside and outside the pool, by combining the different surface types to match your project.

Made entirely of polypropylene, the blocks will never rust or oxidize making *SolidPool* the ideal structure for salt water pools.



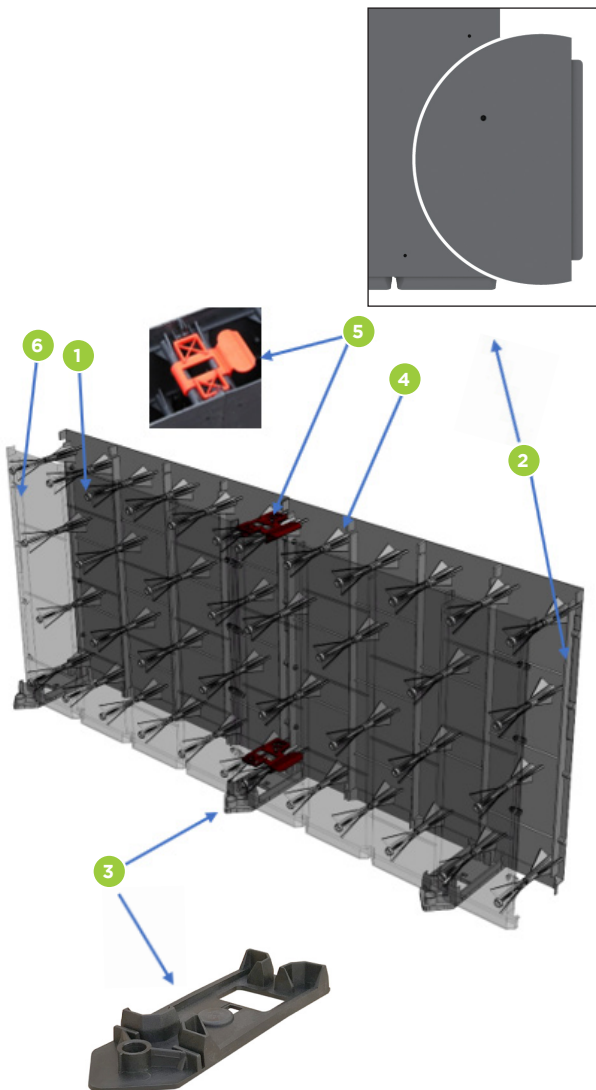
SMOOTH SURFACE

Finish: Vinyl liners.



PERFORATED SURFACE

Finish: Concrete coating, acrylic, tiles or other glued materials.



1 STRUCTURAL SUPPORTS

During the assembly, the block's structural supports are reinforced with stainless-steel screws. The strength of the block allows it to support the weight of the concrete during a pour.

2 LATERAL LOCKS

The block's lateral locks allow for easy alignment for virtually seamless finish.

3 SOLES

The soles are used to keep the wall alignment straight during assembly and serve as guides for the vertical rebar.

4 CROSS MEMBERS

The cross members inside the panel are designed to allow the concrete to efficiently fill the structure. Their shape allows the concrete to easily flow to the bottom of the wall and fill it upwards.

5 CLIPS

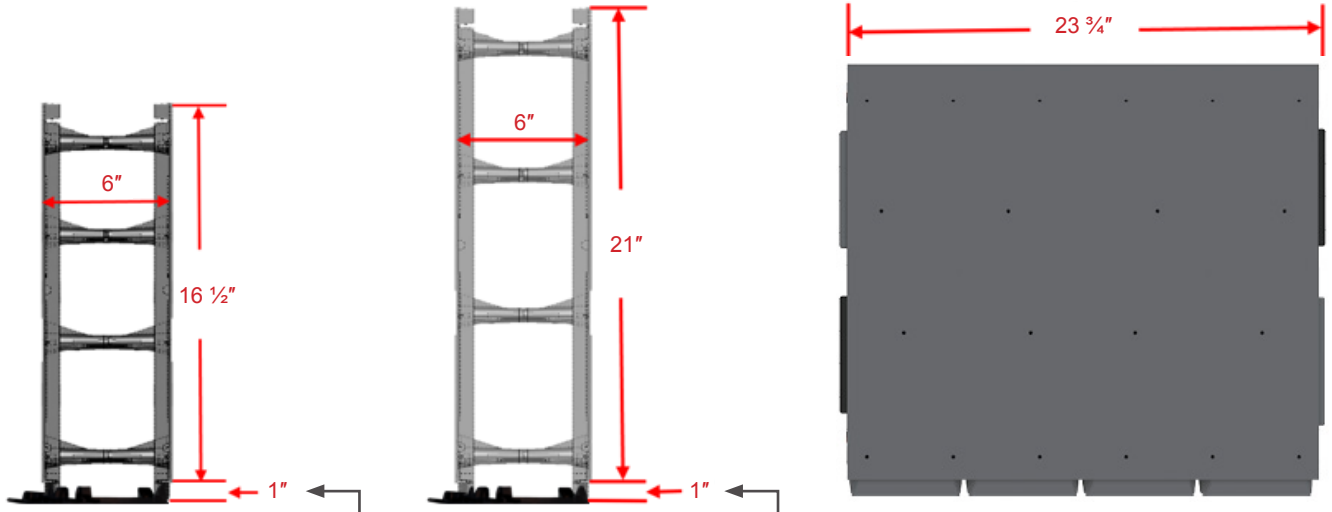
Our signature clips are supplied with the blocks to easily and securely attach the blocks to each other and ensure that the seams are flush. Once completely clipped, the structure is freestanding.

6 INSIDE LIP

The blocks are molded with an inside lip designed to minimize concrete leakage between blocks during the pouring process.

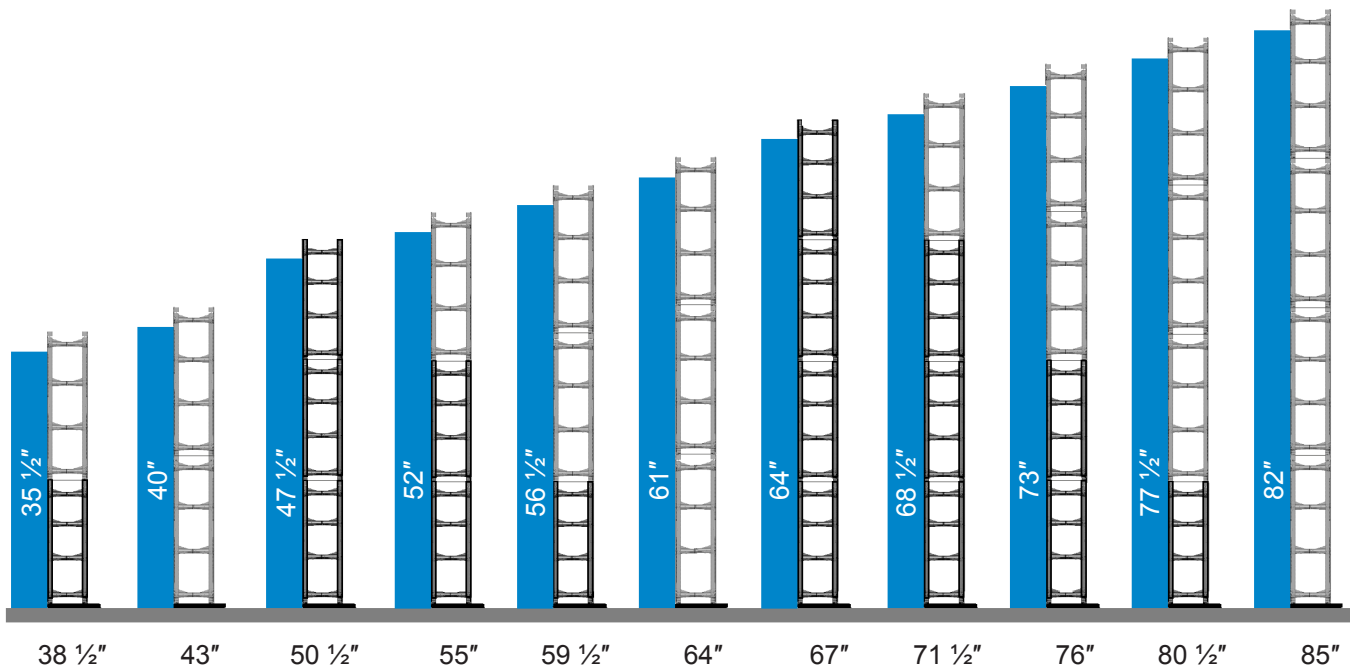
BLOCK DIMENSIONS

The blocks are available in two different heights, making it easy to customize your projects.



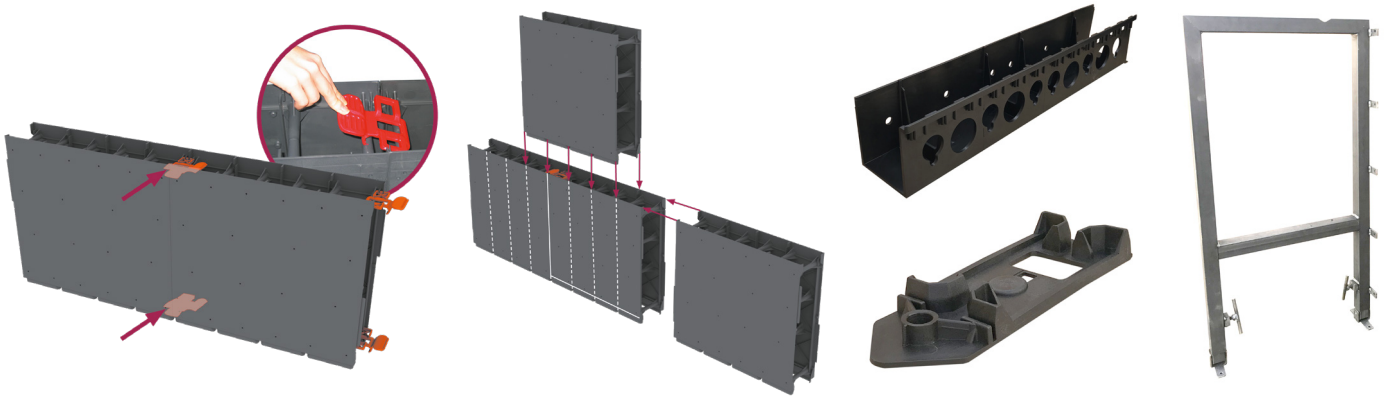
IMPORTANT

Please note that the extra 1" offset on the bottom is calculated WITH the soles installed and must only be considered on the bottom row of blocks. For all other rows of blocks, the offset will be inserted in the previous row.



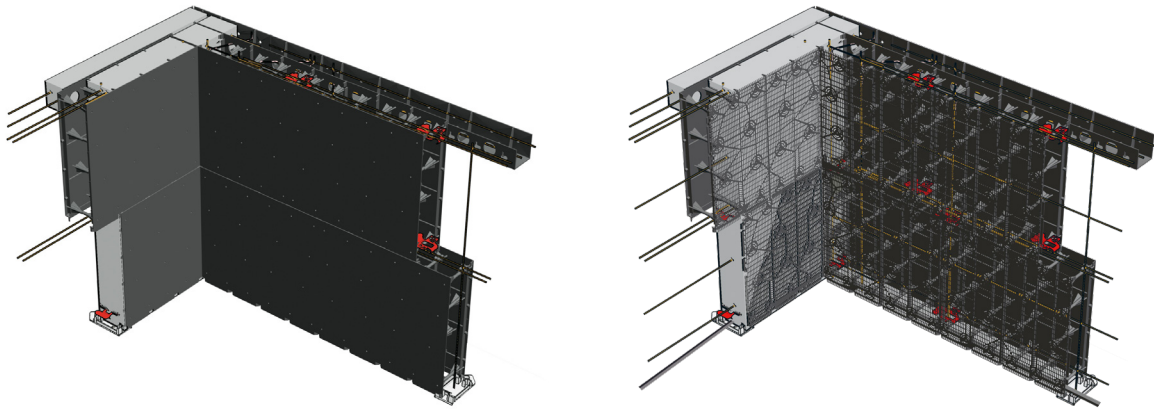
LIGHTWEIGHT

The *SolidPool* blocks weigh approximately 7 lbs. each meaning that the structure can be assembled faster than traditional structures minimizing risks of wear and tear or injuries to installers.



STRONG

SolidPool's design and installation methods make for a strong and reliable pool or retaining wall structure. The final product is freestanding, making it ideal for all types of properties and projects, eliminating the need for additional retaining walls.



SIMPLE

Each project is easily customizable. Simply send us your design or concept, we will supply you with a detailed plan which includes all the sizing and quantities of blocks, parts, rebar and even cubic meters of concrete required to fill the structure.

