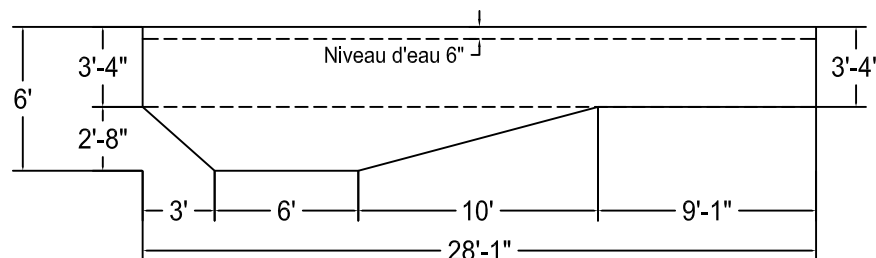
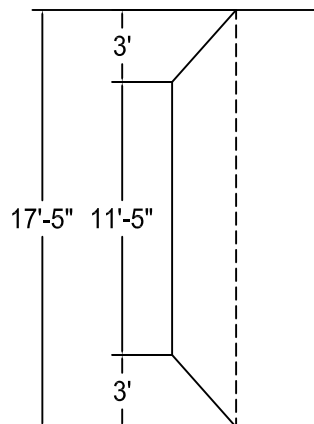
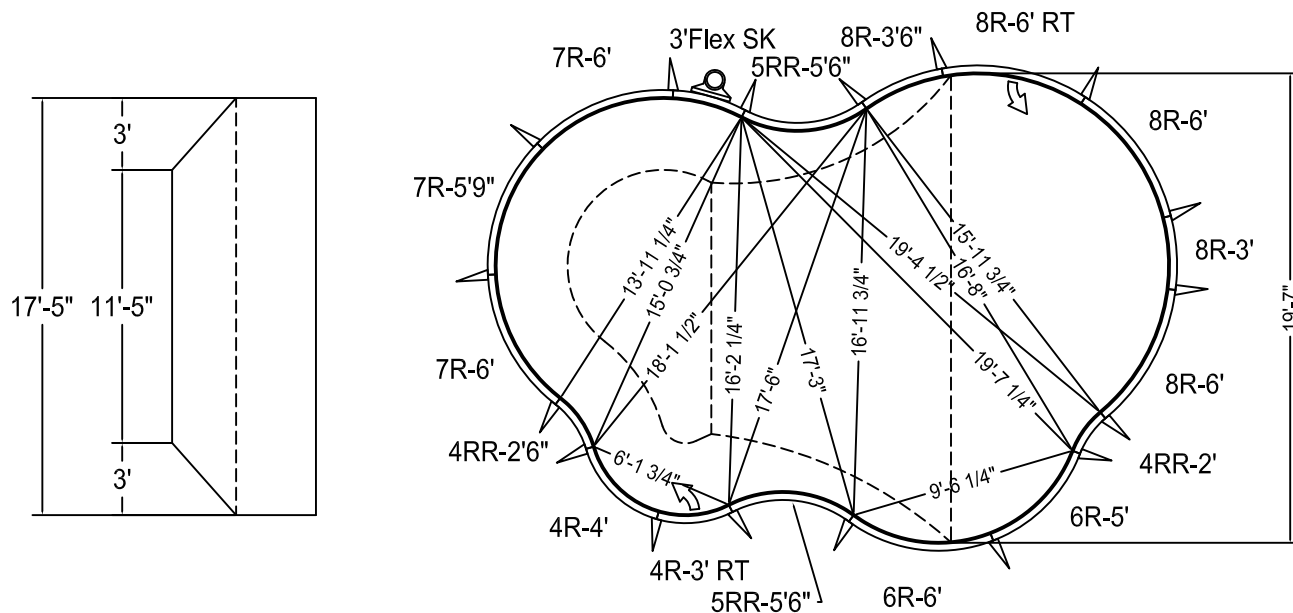
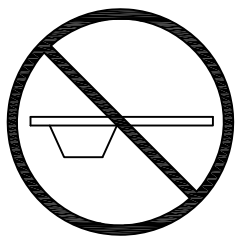


Périmètre	78'-9"	Date	01/Jan/2012
Surface (pi. ca.)	420	Échelle	1/8" = 1'-0"
Volume (Litres)	46 400	#Dessin	ES2028D-12

## Escale 19-7 x 28-1 Droite

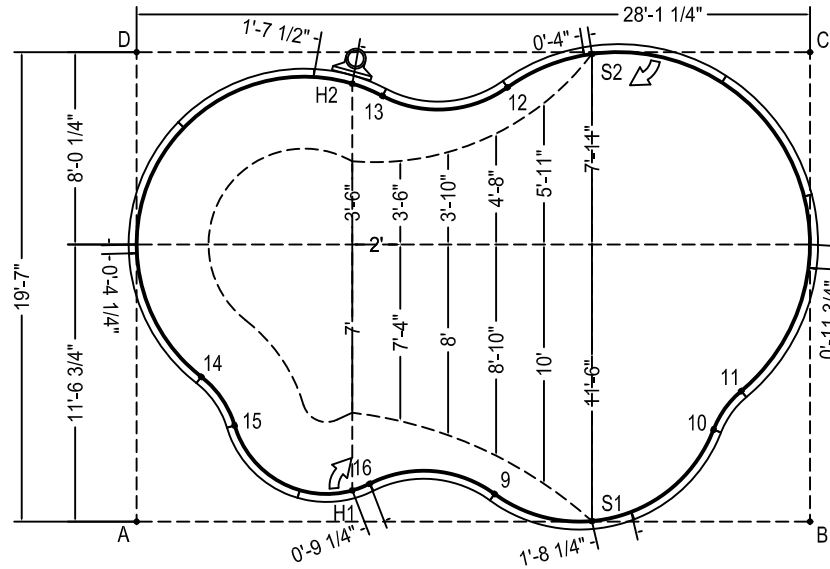


BNQ 9461-100/2009



**NON CONFORME**  
pour plongeur

Description	Code Produit	Qté
8R-6'	PAN-096CR72P	2
8R-6' Retour	PAN-096CR72I	1
8R-3'6"	PAN-096CR42P	1
8R-3'	PAN-096CR36P	1
7R-6'	PAN-084CR72P	2
7R-5'9"	PAN-084CR69P	1
3' Flex Skimmer	PAN-084CR36F	1
6R-6'	PAN-072CR72P	1
6R-5'	PAN-072CR60P	1
4R-4'	PAN-048CR48P	1
4R-3' Retour	PAN-048CR36I	1
4RR-2'6"	PAN-048RR30P	1
4RR-2'	PAN-048RR24P	1
5RR-5'6"	PAN-060RR66P	2
Frame En A	PAN-00000AF	17
Stake Rode Paquet de 30	AQ-STAKE50	1
Nuts and bolts Paquet de 50	AQ-NBOLT50	3



	A	B	C	D
1	2'-10 3/4"	28'	32'-5 3/4"	16'-8 1/2"
2	27'-10 3/4"	2'-4 3/4"	17'-2 1/2"	32'-8 1/4"
3	9'-5 1/2"	20'-10"	24'-9 3/4"	16'-5 1/2"
4	19'-5"	11'-4"	16'-7 3/4"	22'-11 1/4"
5	12'-4"	16'-4 1/2"	27'-7 3/4"	25'-5 1/2"
6	13'-6 1/4"	24'-0 3/4"	22'-7"	10'-7 3/4"
7	23'-2 1/2"	14'-1"	11'-3 3/4"	21'-7 1/2"
8	25'-6"	27'-1"	15'-9"	12'-10"
9	14'-11 3/4"	13'-2 1/2"	22'-7 3/4"	23'-8 3/4"
10	24'-4 1/2"	5'-6 3/4"	16'-3"	28'-9 1/4"
11	25'-9 3/4"	6'-2"	14'-5 1/4"	28'-11"
12	23'-10"	22'-1"	12'-8 1/2"	15'-6 1/2"
13	20'-6"	25'-2"	17'-11 1/4"	10'-5"
14	6'-7 1/2"	26'-1 1/4"	28'-9 1/2"	13'-9 3/4"
15	5'-8 3/4"	24'-4 1/4"	28'-7 1/2"	16'-1 1/4"
16	9'-10 1/4"	18'-5 1/4"	25'-8 3/4"	20'-5 1/2"
H1	9'-1"	19'-1 3/4"	26'-5 1/4"	20'-4 1/2"
H2	20'-4 1/2"	26'-5 1/4"	19'-1 3/4"	9'-1 1/4"
S1	19'	9'-1 1/4"	21'-7"	27'-3 1/4"
S2	27'-2 3/4"	21'-6 1/4"	9'-1 1/4"	19'
A	-	28'-1 1/4"	34'-3"	19'-7"

