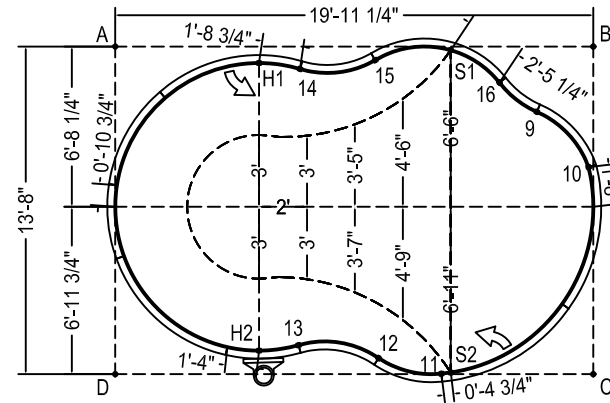




Description	Code Produit	Qté
7R-6'	PAN-084CR72P	1
7R-6' Retour	PAN-084CR72I	1
6R-6'	PAN-072CR72P	1
6R-6' Retour	PAN-072CR72I	1
6R-4'3"	PAN-072CR51P	1
6R-3'	PAN-072CR36P	1
3' Flex Skimmer	PAN-072CR36F	1
4R-5'9"	PAN-048CR69P	1
4R-3'3"	PAN-048CR39P	1
4R-2'9"	PAN-048CR33P	1
4RR-3'6"	PAN-048RR42P	1
4RR-3'3"	PAN-048RR39P	1
4RR-2'	PAN-048RR24P	1
Frame En A	PAN-00000AF	13
Stake Rode Paquet de 30	AQ-STAKE50	1
Nuts and bolts Paquet de 50	AQ-NBOLT50	2



	A	B	C	D
1	8'-11 3/4"	15'-5 1/2"	15'-7 1/4"	9'-2 1/2"
2	14'-6 3/4"	9'-8 1/4"	9'-10 3/4"	14'-8 1/2"
3	17'-2 1/2"	7'-6 1/4"	8'-3 1/2"	17'-6 3/4"
4	13'-6 1/4"	8'-1 1/4"	11'-11 1/2"	16'-1 1/2"
5	16'-4 1/2"	11'-9 1/2"	7'-10"	13'-9 1/2"
6	19'-2 3/4"	1'-2 1/2"	14'-7 1/2"	24'-1 1/2"
7	9'-3 3/4"	11'-5 1/2"	19'-11 1/4"	18'-9 1/2"
8	18'-6"	19'-9 1/2"	11'-6 1/4"	9'-1 1/2"
9	17'-9 1/2"	3'-7 1/4"	11'-2 1/2"	20'-8 3/4"
10	20'-4 1/2"	5'-0 1/2"	8'-7 3/4"	21'-6 3/4"
11	19'-3 1/4"	15'-0 1/2"	6'-4"	13'-7 1/4"
12	17'-0 1/4"	15'-9 1/2"	8'-11 3/4"	11'-0 1/4"
13	14'-7 1/2"	17'-6"	12'-4 1/4"	7'-9"
14	7'-9 1/4"	12'-3 1/4"	17'-8"	14'-10 3/4"
15	10'-10 1/4"	9'-1 1/2"	15'-11 1/2"	17'-0 1/4"
16	16'-1 1/4"	4'-2 1/4"	12'-9 1/4"	20'-1 1/2"
H1	6'-0 1/2"	13'-11 1/2"	19'-0 3/4"	14'-3 3/4"
H2	14'-0 1/2"	18'-10 1/4"	13'-11 3/4"	6'-1"
S1	14'	5'-11 1/2"	14'-9 1/4"	19'-5 1/2"
S2	19'-6 1/4"	14'-10 1/4"	5'-11 1/2"	14'
A	-	19'-11 1/4"	24'-2 1/4"	13'-8"

