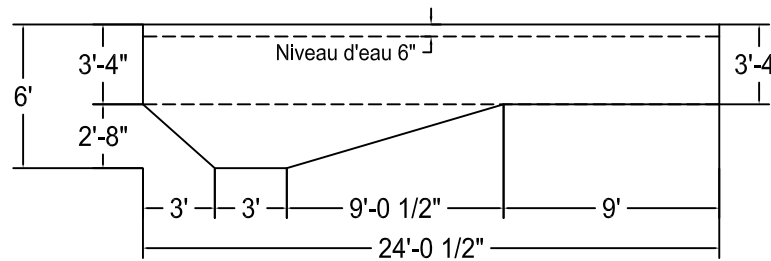
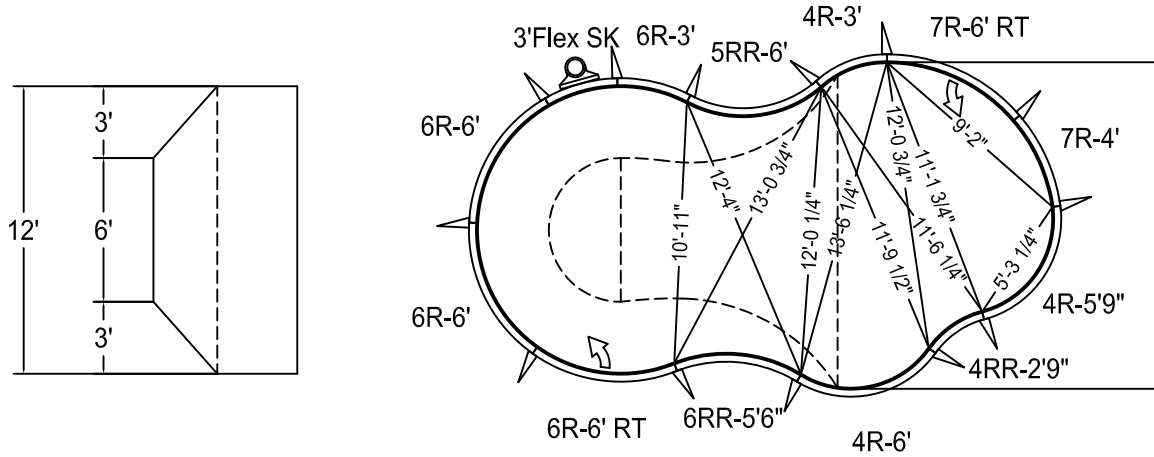
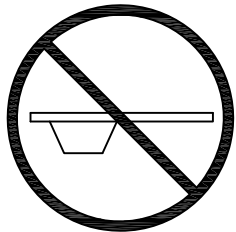


Périmètre	63'	Date	01/Jan/2012
Surface (pi. ca.)	248	Échelle	1/8" = 1'-0"
Volume (Litres)	26 300	#Dessin	OD1224D-12

Odyssee 12 x 24-1 Droite

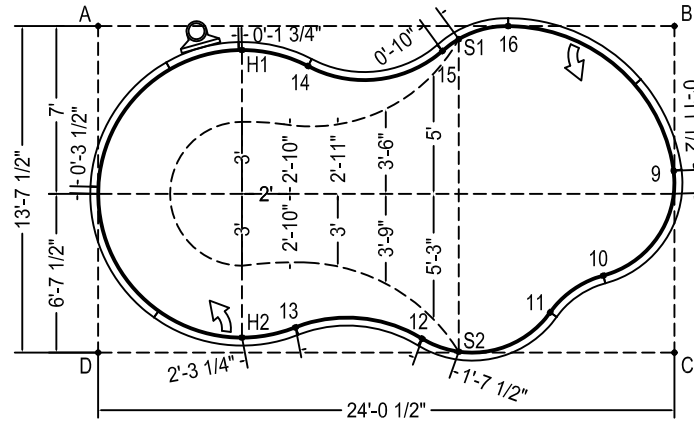


BNQ 9461-100/2009



NON CONFORME
pour plongeur

Description	Code Produit	Qté
7R-6' Retour	PAN-084CR72I	1
7R-4'	PAN-084CR48P	1
6R-6'	PAN-072CR72P	2
6R-6' Retour	PAN-072CR72I	1
6R-3'	PAN-072CR36P	1
3' Flex Skimmer	PAN-072CR36F	1
4R-6'	PAN-048CR72P	1
4R-5'9"	PAN-048CR69P	1
4R-3'	PAN-048CR36P	1
4RR-2'9"	PAN-048RR33P	1
5RR-6'	PAN-060RR72P	1
6RR-5'6"	PAN-072RR66P	1
Frame En A	PAN-00000AF	13
Stake Rode Paquet de 30	AQ-STAKE50	1
Nuts and bolts Paquet de 50	AQ-NBOLT50	2



	A	B	C	D
1	9'-2 1/2"	19'-4 1/4"	19'-2 3/4"	8'-11 1/4"
2	18'-5 1/2"	9'-10 1/2"	9'-7 1/4"	18'-3 3/4"
3	21'-1"	7'-8"	8'-1 1/2"	21'-3"
4	18'-4"	12'-9 3/4"	9'-4 1/4"	16'-1 1/4"
5	17'-6 1/4"	8'-0 3/4"	11'-10 3/4"	19'-7"
6	26'-3 3/4"	14'-4 3/4"	2'-0 1/2"	22'-1 1/2"
7	11'-5 1/4"	13'-2 3/4"	20'-10 1/2"	19'-9 1/4"
8	20'-11 1/4"	22'-8 3/4"	14'-4 1/2"	11'-4 1/4"
9	24'-9 1/4"	6'-0 1/2"	7'-7"	25'-2 1/4"
10	23'-6"	10'-10"	4'-4 1/2"	21'-4"
11	22'-4"	13'-0 1/4"	5'-5 1/2"	18'-11 1/4"
12	18'-9 1/2"	16'-9"	10'-6 1/2"	13'-6 1/2"
13	15'-0 1/4"	20'-2 1/2"	15'-10 1/4"	8'-3 1/2"
14	8'-11"	15'-4 1/2"	19'-5"	14'-9 3/4"
15	14'-4 3/4"	9'-8 3/4"	15'-10 1/2"	19'-1 1/4"
16	17'-1 1/4"	6'-11 1/4"	15'-3 1/2"	21'-10 1/2"
H1	6'-1"	18'-1"	22'-0 1/4"	13'-11 3/4"
H2	14'-3 3/4"	22'-3"	18'-0 3/4"	6'-0 1/2"
S1	15'-0 3/4"	9'-0 1/4"	15'-10 1/2"	19'-11 1/4"
S2	20'-3 1/4"	16'-3 1/2"	9'	15'-0 1/2"
A	-	24'-0 1/2"	27'-7 3/4"	13'-7 1/2"

