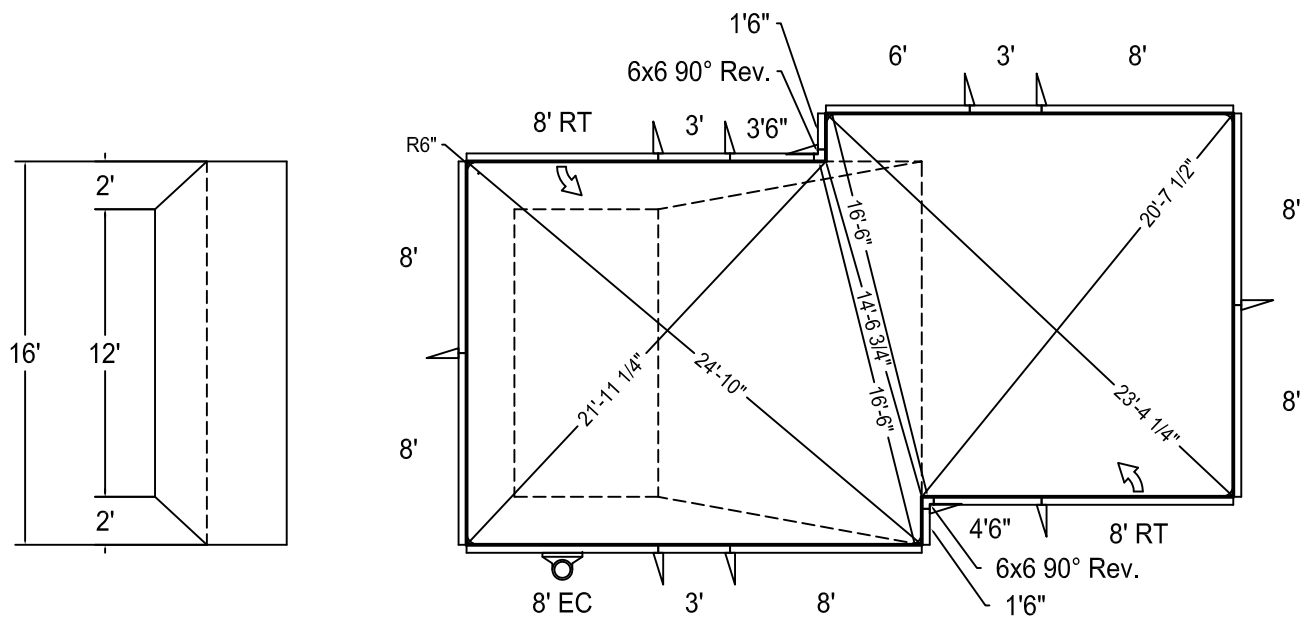
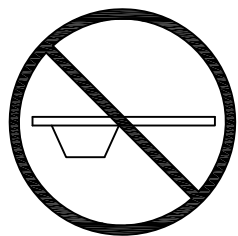


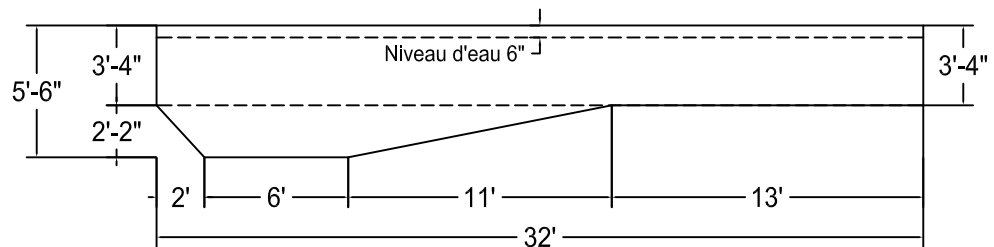
Offset Rectangle 16 x 32 Gauche



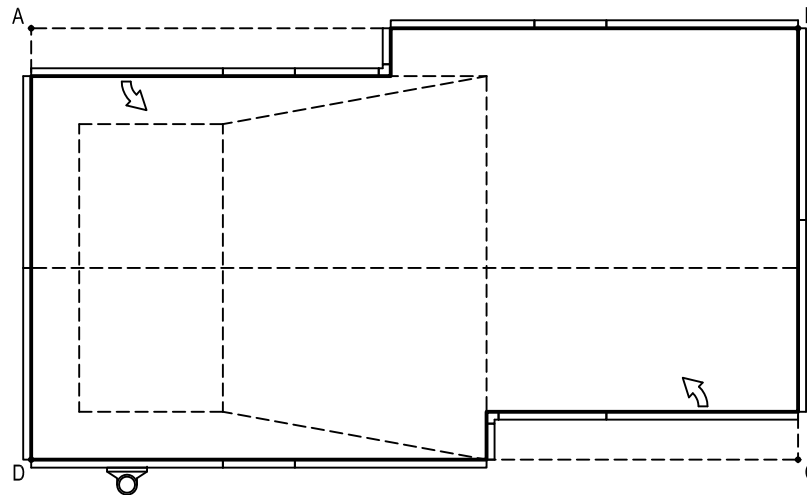
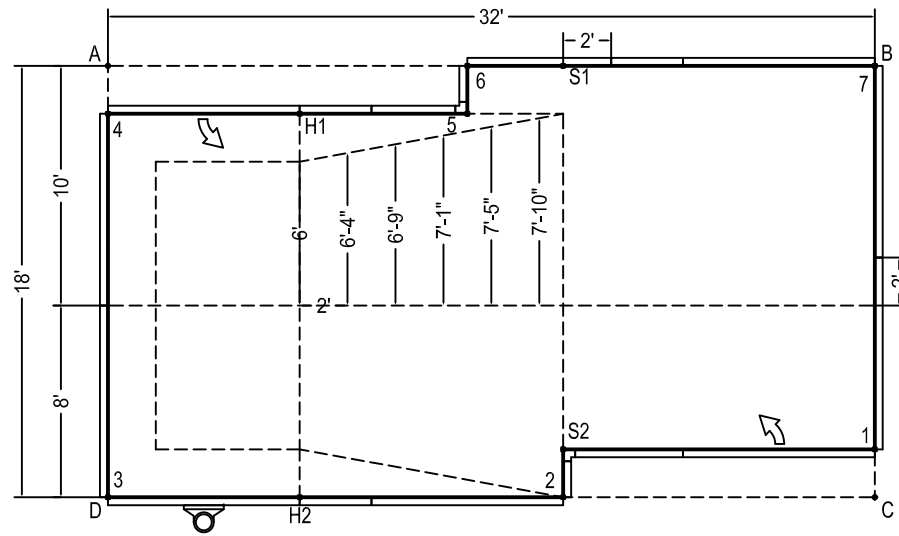
BNQ 9461-100/2009



NON CONFORME
pour plongeur



Description	Code Produit	Qté
8' Droit	PAN-000DR96P	6
8' Écumoir	PAN-000DR96S	1
8' Retour	PAN-000DR96I	2
6' Droit	PAN-000DR72P	1
4'6" Droit	PAN-000DR54P	1
3'6" Droit	PAN-000DR42P	1
3' Droit	PAN-000DR36P	3
1'6" Droit	PAN-000DR18P	2
6"x6" 90° Rev. Angle	PAN-006AN90P	2
Frame En A	PAN-00000AF	11
Coin 90°	PAN-090COIN	6
Coin 6" de Rayon	PAN-006CR000	6
Stake Rode Paquet de 30	AQ-STAKE50	1
Nuts and bolts Paquet de 50	AQ-NBOLT50	4



	A	B	C	D
1	35'-9 1/4"	16'	2'	32'-0 3/4"
2	26'-2"	22'-2 1/2"	13'	19'
3	18'	36'-8 1/2"	32'	0'
4	2'	32'-0 3/4"	35'-9 1/4"	16'
5	15'-1 1/2"	17'-1 1/2"	23'-4 1/4"	21'-11 1/4"
6	15'	17'	24'-9"	23'-5 1/4"
7	32'	0'	18'	36'-8 1/2"
H1	8'-3"	24'-1"	28'-10 1/4"	17'-10 3/4"
H2	19'-8 1/4"	30'	24'	8'
S1	19'	13'	22'-2 1/2"	26'-2"
S2	24'-10"	20'-7 1/2"	13'-1 3/4"	19'-1 1/4"
A	-	32'	36'-8 1/2"	18'