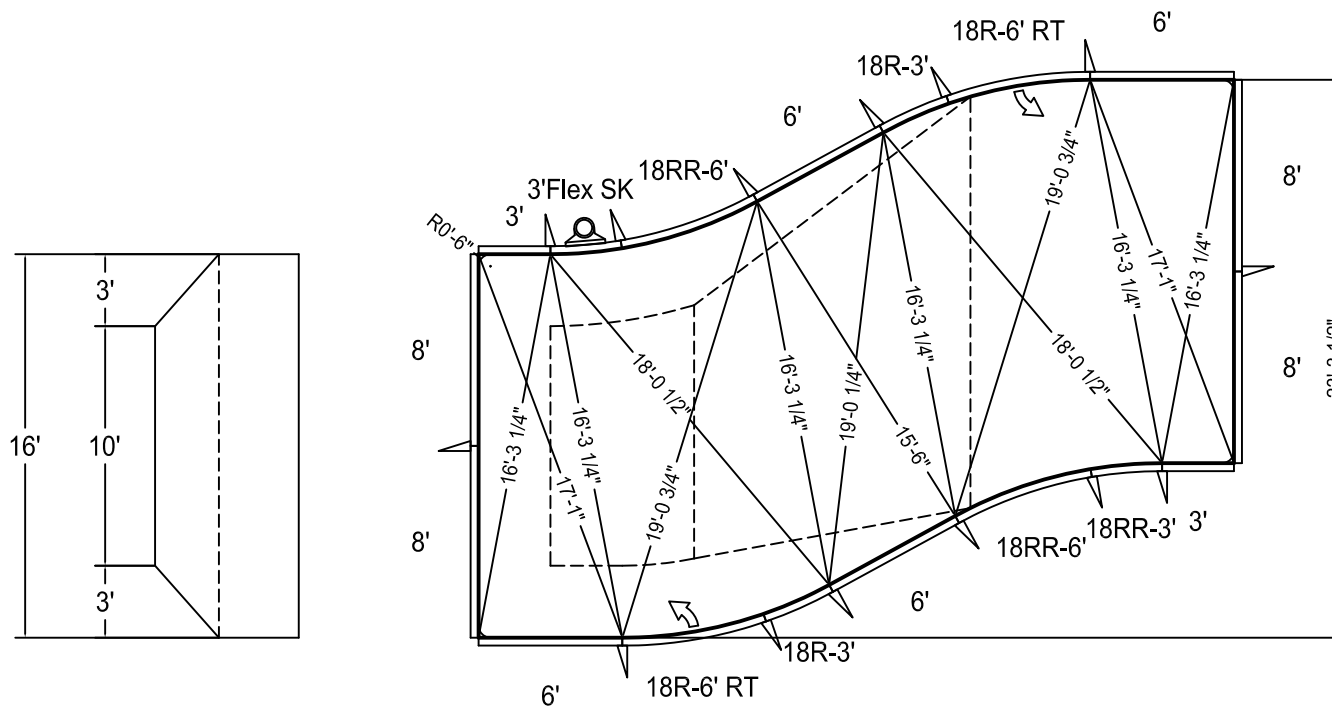
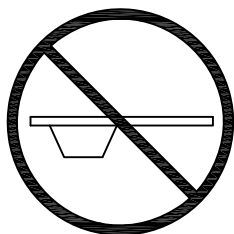


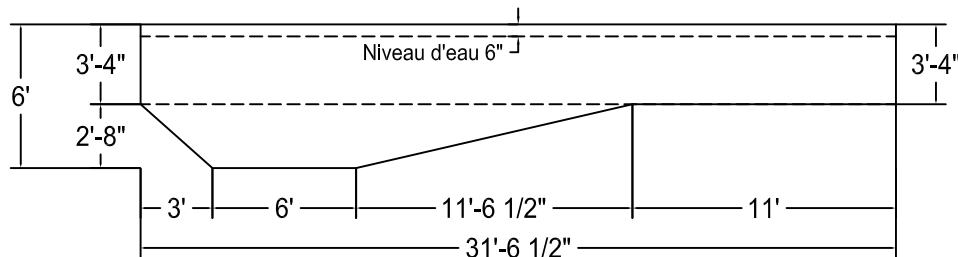
Custom 16 x 31-7 Gauche



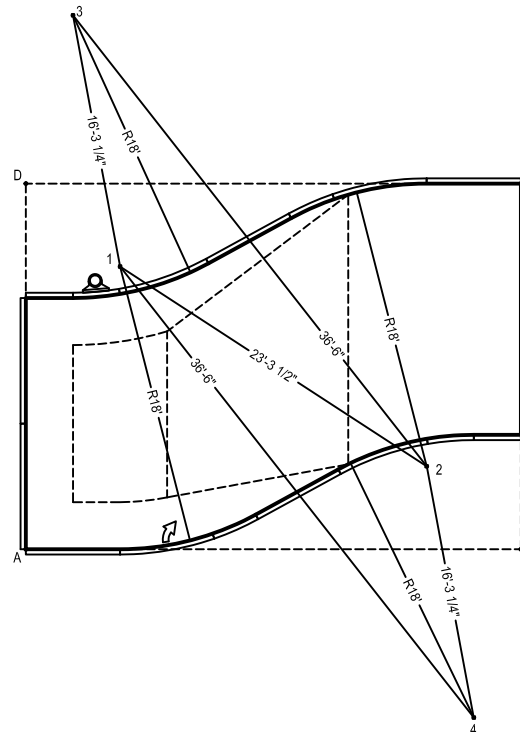
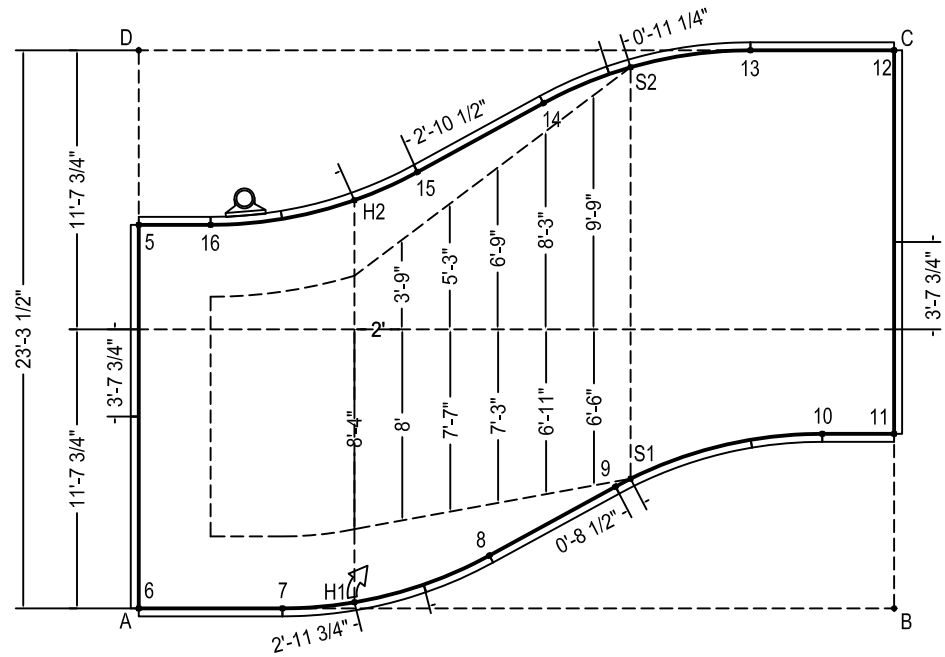
BNQ 9461-100/2009



NON CONFORME
pour plongeur



Description	Code Produit	Qté
8' Droit	PAN-000DR96P	4
6' Droit	PAN-000DR72P	4
3' Droit	PAN-000DR36P	2
18R-6' Retour	PAN-216CR72I	2
18R-3'	PAN-216CR36P	2
18RR-6'	PAN-216RR72P	2
18RR-3'	PAN-216RR36P	1
3' Flex Skimmer	PAN-216RR36F	1
Frame En A	PAN-00000AF	11
Coin 90°	PAN-090COIN	4
Coin 6" de Rayon	PAN-006CR000	4
Stake Rode Paquet de 30	AQ-STAKE50	1
Nuts and bolts Paquet de 50	AQ-NBOLT50	4



	A	B	C	D
1	18'-11 3/4"	31'-2 3/4"	26'-0 3/4"	8'
2	26'-0 3/4"	8'	18'-11 3/4"	31'-2 3/4"
3	34'-1 1/2"	44'-4 1/2"	30'-5 3/4"	11'-1 1/2"
4	30'-5 3/4"	11'-1 1/2"	34'-1 1/2"	44'-4 1/2"
5	16'	35'-4 1/4"	32'-4 1/4"	7'-3 1/2"
6	0'	31'-6 1/4"	39'-2 1/4"	23'-3 1/2"
7	6'	25'-6 1/4"	34'-6 1/2"	24'-0 1/2"
8	14'-9 1/2"	17'-0 1/2"	27'-0 1/4"	25'-8"
9	20'-6 1/2"	12'-8 1/4"	21'-7 1/4"	26'-11 1/2"
10	29'-5 1/4"	7'-10 1/2"	16'-3 1/4"	32'-8 1/2"
11	32'-4 1/4"	7'-3 1/2"	16'	35'-4 1/4"
12	39'-2 1/4"	23'-3 1/2"	0'	31'-6 1/4"
13	34'-6 1/2"	24'-0 1/2"	6'	25'-6 1/4"
14	27'-0 1/4"	25'-8"	14'-9 1/2"	17'-0 1/2"
15	21'-7 1/4"	26'-11 1/2"	20'-6 1/2"	12'-8 1/4"
16	16'-3 1/4"	32'-8 1/2"	29'-5 1/4"	7'-10 1/2"
H1	9'	22'-6 1/4"	32'-2 1/2"	24'-8 3/4"
H2	19'-3 1/4"	28'-2 3/4"	23'-4 1/2"	10'-11 1/2"
S1	21'-2 3/4"	12'-3"	20'-11 3/4"	27'-2 1/2"
S2	30'-6 1/4"	25'-1 1/4"	11'-0 1/4"	20'-6 1/2"
A	-	31'-6 1/4"	39'-2 1/4"	23'-3 1/2"